

STANDARD SETTING

transmitter mode	active
receiver mode	passive
transfer mode	full duplex
transfer current	20 mA

TECHNICAL DATA

maximal transfer rate	115 kBd
recommended transfer rate	19 kBd
maximal line length	2 500 m
galvanic separation	1 kV
overvoltage (soft) protection – Current Loop	600W/1ms
overvoltage (soft) protection – power supply	600W/1ms
power supply polarity inversion protection	diode
connector RS232c	D-SUB 25 pin F(M)
connector Current Loop	D-SUB 09 pin M
connector power supply	plug 1.3mm
optical indication	RxD, TxD, PWR
power supply	9 – 12V DC
power consumption	max 1 W
dimensions	62 x 15 x 54 mm

CONDITIONS OF WARRANTY

ComErgon Ltd. provides full warranty of 12 month for serial interface module MINI 1.1/CL, starting on the day of purchase.

The warranty is except for the cases in which the functioning of the module has been affected by faulty manipulation, natural catastrophes or other external factors.

MANUFACTURER AND SUPPLIER



tel.: +421-2- 4445 8783
tel./ fax.: +421-2- 4425 9006

Pionierska 15, 831 02 Bratislava
Slovak Republic

e-mail: service@comergon.sk
<http://www.comergon.sk>



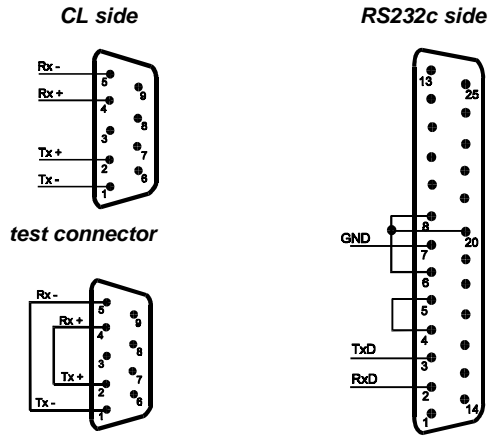
MINI serie

MINI 1.1/CL

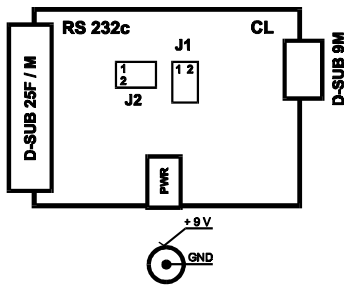
isolated converter

RS 232 - Current Loop

INPUT AND OUTPUT CONNECTOR



LAYOUT OF JUMPERS AND CONNECTORS



INTERCONNECTION

module 1 pin	module 2 pin
SIMPLEX	
(Tx -) 1	→ 5 (Rx -)
(Tx +) 2	→ 4 (Rx +)
FULL DUPLEX	
(Tx -) 1	→ 5 (Rx -)
(Tx +) 2	→ 4 (Rx +)
(Rx -) 5	← 1 (Tx -)
(Rx +) 4	← 2 (Tx +)

SELECTION OF OPERATING MODES

FULL DUPLEX		
JUMPER	PIN	FUNCTION
J2	2-4, 3-5, 7-8	active
transmitte	1 - 3, 4 - 6	passive
J1	1-2, 3-4, 5-6	active
receiver	2 - 4, 3 - 5	passive

It is necessary to ensure for the same channel that transmitter and receiver are not set both to active mode.